



INSTALLATION INSTRUCTIONS REMOTE COOLER PART # 12740, 12741, 12742 & 12743

Please read these instructions completely before starting the installation.

KIT CONTENTS

QTY.	DESCRIPTION
1	Oil Cooler Assembly

TOOLS NEEDED

Standard Screw Driver or 5/16" Nut Driver	Teflon Tape	Drill
Sockets & Ratchet	Razor Knife	9/32" Drill Bit
Open End Wrench's	Marker	

RECOMMENDED FOR

Transmission	Fuel
Power Steering	

IMPORTANT

When installing the hose onto the 11/32" inlets of the cooler, dab the end of the hose in a lubricant (Oil) to help prevent binding. (See Diagram #1)

PRE-INSTALLATION

Important: The Electric Fan comes from the factory with a product label installed on one end of the fan shroud. Before installation check the product label to confirm airflow direction & positive electric fan lead color. Airflow direction will be shown with an arrow.

This fan is factory setup for PULLER applications

Changing airflow direction

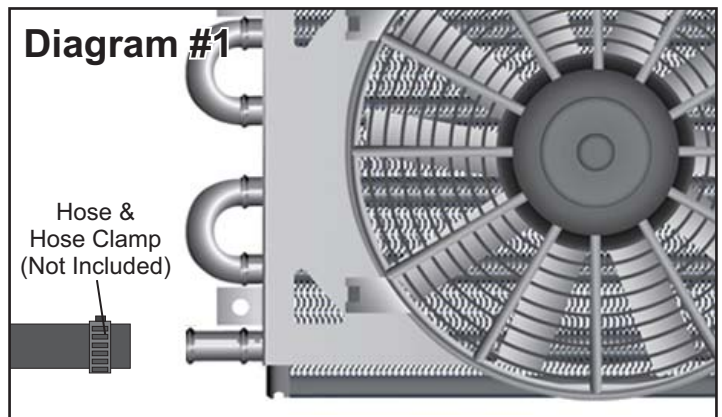
To change the airflow direction from the factory setting:

- Using a Socket & Ratchet, remove the four lock nuts holding the Electric Fan onto the Oil Cooler Assembly.
- Remove the Nut or Clip that holds the electric fan blade onto the motor shaft.
- Carefully remove the fan blade from the motor shaft.

Note: This is an interference fit and requires some effort.

- Flip the fan blade upside down and reinstall onto the motor shaft. Make sure the roll pin on the motor shaft is aligned with the slot on the fan blade.
- Reinstall nut or clip on motor shaft.
- Reinstall the Electric Fan onto the Oil Cooler Assembly.

Diagram #1



COOLER LOCATION

The purpose of a remote mount cooler is to be able to mount the cooler away from the front of the vehicle therefore not blocking airflow to the radiator/condenser. This cooler can be mounted anywhere space permits. Always keep in mind that the cooler still needs access to airflow to perform at its peak.

COOLER INSTALLATION (MOUNTING HARDWARE NOT INCLUDED)

- Hold the Oil Cooler Assembly in the desired location.
- Using a marker, mark the four hole locations.
- Using a drill and 9/32" drill bit, drill the four mounting holes.
- Using 1/4"-20 Bolts, 1/4" Washers & 1/4" Lock Nuts (Not Supplied) attach the Oil Cooler Assembly.

ROUTING HOSES

Note: The Cooler core will flow in either direction, there is no specified inlet or outlet port.

Warning: When routing hoses, be sure to keep all hoses away from sharp edges, moving parts and hot engine components. Hoses should be routed carefully and should not be bent in less than a 5" radius.

Important: A kinked hose will restrict flow and could cause failure.

WIRING (See Diagram #2)

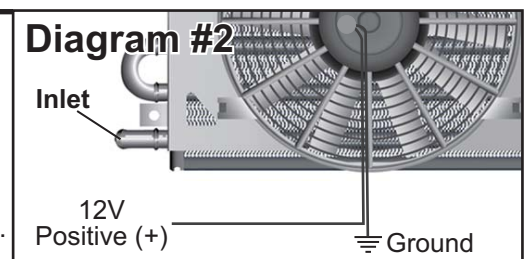
Specifications- Electric Fan rating: 5.1 Amps

Important: Before beginning reference the Product Label on the Electric Fan shroud for the factory PULLER fan configuration Positive wire color. If you wish to configure the fan opposite of the factory PULLER setting, The Positive (+) and Negative (-) wires **MUST** be switched.

Hook the Positive (+) wire to a switched 12 volt source (Manual Switch or Thermostat).

Hook the Negative (-) wire to a good chassis Ground (-).

Diagram #2



Warning: Installation of accessories should only be undertaken by those with mechanical knowledge and are familiar with working on vehicles. Always use eye protection (goggles, safety glasses or shield). Park the vehicle in a well lit area, on level ground and apply the parking brake. Only work on a cold vehicle that has been sitting overnight, failure to do so will result in severe burns and injury. Before starting the vehicle, make sure no tools or any other items are left under hood that could interfere with or be drawn into moving parts of the engine. Failure to follow instructions can lead to severe damage and personal injury.