



INSTALLATION INSTRUCTIONS PREMIUM MOUNTING KITS PART # 16746

Please read these instructions completely before beginning installation

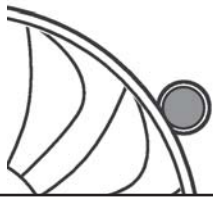
KIT CONTENTS

QTY.	DESCRIPTION	QTY.	DESCRIPTION	QTY.	DESCRIPTION	QTY.	DESCRIPTION
4	Straight splined ratchet brackets	4	M6 x 12mm Hex head Bolts	4	Mounting clips	8	M6 square nuts
4	90° splined ratchet brackets	4	Rubber isolators	4	Foam pads	4	M6 hex lock nuts
8	M6 x 35mm socket head Bolts	4	Mounting rods	8	M6 flat washers		

Mounting Options

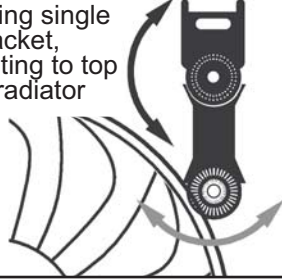
Mount 'A'

Using Nylon Tie Strap



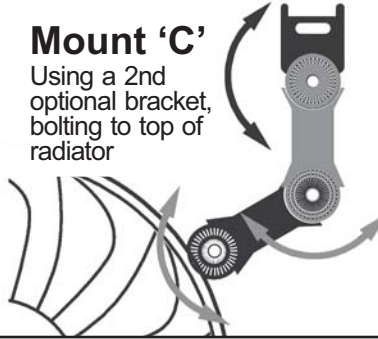
Mount 'B'

Using single bracket, bolting to top of radiator



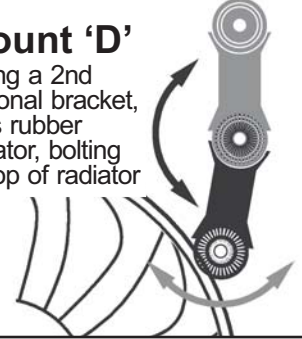
Mount 'C'

Using a 2nd optional bracket, bolting to top of radiator



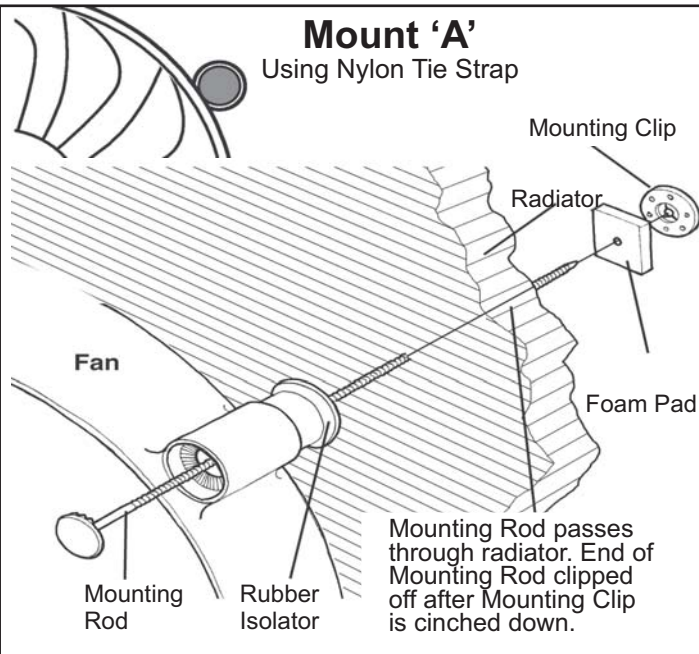
Mount 'D'

Using a 2nd optional bracket, plus rubber isolator, bolting to top of radiator



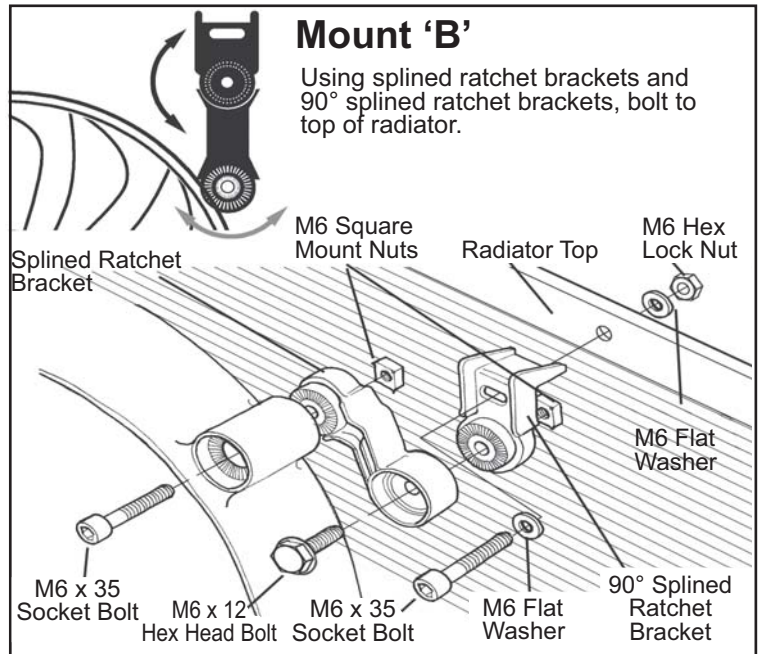
Mount 'A'

Using Nylon Tie Strap



Mount 'B'

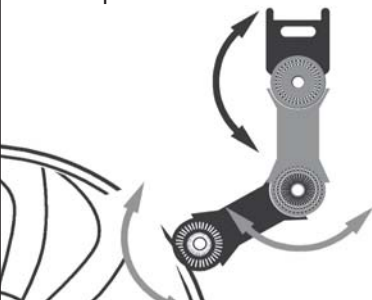
Using splined ratchet brackets and 90° splined ratchet brackets, bolt to top of radiator.



Mount 'C' or 'D'

Mount 'C'

Using a 2nd optional splined ratchet bracket, bolt to top of radiator.



Mount 'D'

Using a 2nd optional splined ratchet bracket, plus rubber isolator, bolt to top of radiator.

