



INSTALLATION INSTRUCTIONS OIL FILTER RELOCATION KIT PART # 15748

Please read these instructions completely before beginning installation

KIT CONTENTS

| QTY. | DESCRIPTION | QTY. | DESCRIPTION | QTY. | DESCRIPTION |
|------|--------------------------|-------|---------------------------|------|---------------------------|
| 1 | Spin-On Adapter | 1 | 3/4-16 Filter Nipple | 1 | 3/4-16 Hex Sleeve Nut |
| 1 | Adapter Plate | 10ft. | 1/2" Hose | 1 | 13/16-16 Hex Sleeve Nut |
| 1 | Ports Up Filter Mount | 4 | 1/2" NPT x 1/2" Hose Barb | 1 | 18mm x 1.5 Hex Sleeve Nut |
| 1 | O-ring (Spin-On Adapter) | 4 | Hose Clamps | 1 | 20mm x 1.5 Hex Sleeve Nut |
| 1 | O-ring (Adapter Plate) | 3 | #14 Sheet Metal Screws | 1 | 22mm x 1.5 Hex Sleeve Nut |
| 1 | Snap Ring | | | | |

TOOLS NEEDED

7/8" Open End Wrench
Standard Screw Driver
Drill
3/16" Drill Bit
Thread Sealant Tape

PRE-INSTALLATION

Important: The Adapter Plate & O-ring are designed to fit vehicles with a 3 1/2" filter landing. Primarily 1963-2007 GM SB & BB V-8 engines.

There are 5 supplied Sleeve Nuts in this kit. Only 1 Sleeve Nut will be used for your application.

SELECTING COMPONENTS

To easily select the correct components for your application, follow the steps below. Then proceed to the INSTALLATION section.

Selecting the Spin-on Adapter and/or Adapter Plate

1. Remove the factory oil filter from the vehicle.
2. Using a rag, clean the oil filter landing on the engine.
3. Take the supplied Spin-on Adapter and Adapter Plate.
4. To determine if your application uses the supplied Adapter Plate, first hold the Adapter Plate up to the oil filter landing on the engine block. The casting needs to seat directly onto the landing without obstruction. If the Adapter Plate is too large, then disregard the Adapter Plate and O-ring. (See Diagram #2)
5. Take the supplied Spin-On Adapter and hold it up the oil filter landing on the engine block. The casting needs to seat directly onto the landing without obstruction.

Selecting the Sleeve Nut

1. Using the remaining 5 supplied Hex Sleeve Nuts, try and screw each Hex Sleeve Nut onto the filter nipple on the engine block until the correct size will completely thread onto the nipple. Once you have located the correct Hex Sleeve Nut, disregard the remaining 4 Hex Sleeve Nuts.
2. Take the Hex Sleeve Nut and slide it into the Spin-on Adapters hex feature. The Hex Sleeve Nut will only install correctly in one direction. (See Diagram #1)
3. Take the supplied Snap Ring and carefully install into the snap ring groove of the casting making sure it is securely fastened. (See Diagram #1)

Warning: It is recommended that you wear the proper eye protection when installing Snap Ring.

SPIN-ON ADAPTER INSTALLATION

1. Apply a light coat of oil onto the O-ring(s).
2. Take the O-ring and install into the groove on the Spin-On Adapter and Adapter Plate (if used).
3. Install onto the engine. (See Diagram #2)
4. Hand Tighten with the same force used in tightening a factory oil filter.

Diagram #1

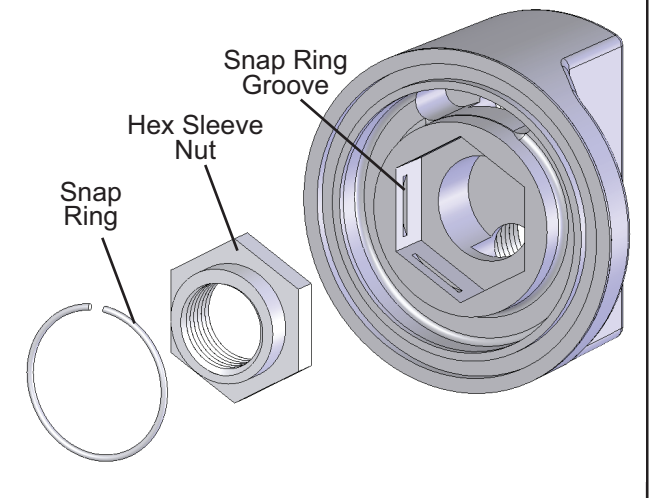
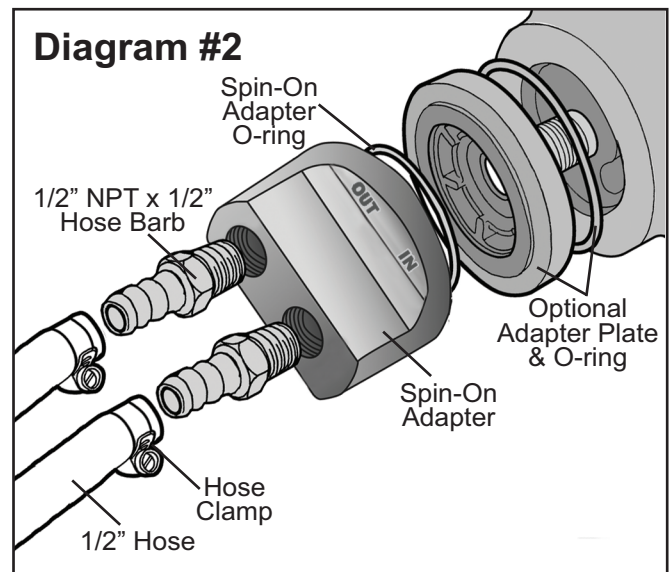


Diagram #2

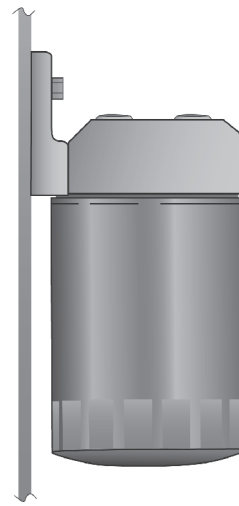


(Continues on Page 2)

FILTER MOUNT INSTALLATION

1. Choose a convenient location for the Ports-Up Filter Mount. Make sure there is enough space for future servicing of the oil filter. Suggested Locations: Firewall, Radiator Support, Fender well. (See Diagram #3)
2. Take the 3/4-16 Filter Nipple supplied, making sure the shorter end of threads is installed onto the Ports-Up Filter Mount.
3. Using the filter mount as a template, mark and drill three 3/16" holes.
4. Using the #14 Sheet Metal Screws provided, install the Ports-Up Filter Mount onto the vehicle.
5. Using the Hose Clamps provided, attach both ends of the 1/2" Hose provided to the hose barbs on the installed Spin-On Adapter forming a loop.
6. Carefully route hose over to the Ports-Up Filter Mount.
Note: Keep hoses away from sharp edges, moving parts and exhaust. Do not bend hose sharper than a 5" radius.
7. Cut the hose to the proper length.
8. Using the Hose Clamps provided, attach the hose coming from the OUT on the Spin-On Adapter to the IN on the Ports-Up Filter Mount.
9. Using the Hose Clamps provided, attach the hose coming from the IN on the Spin-On Adapter to the OUT on the Ports-Up Filter Mount.
10. Apply a light coat of oil onto the o-ring of your new oil filter and install on the filter mount.

Diagram #3



| OIL FILTER CHART | |
|-------------------------|---------------|
| BRAND | PART # |
| AC | PF2 |
| Fram | PH8A |
| Motorcraft | FL1A |
| Purolator | PER1A |

VEHICLE TESTING

1. Start the engine and quickly check all connections for leaks.
2. Turn-off the engine and check the oil.
3. Add oil as needed.
4. Check oil pressure, if a noticeable pressure drop is identified, then it is possible that the filter is mounted too far from the OE filter landing or there is too much elevation. Make incremental adjustments and re-check oil pressure.

(Page 2)

Warning: Installation of accessories should only be undertaken by those with mechanical knowledge and are familiar with working on vehicles. Always use eye protection (goggles, safety glasses or shield). Park the vehicle in a well lit area, on level ground and apply the parking brake. Only work on a cold vehicle that has been sitting overnight, failure to do so will result in severe burns and injury. Before starting the vehicle, make sure no tools or any other items are left under hood that could interfere with or be drawn into moving parts of the engine. Failure to follow instructions can lead to severe damage and personal injury.