



INSTALLATION INSTRUCTIONS BOLT-ON ENGINE OIL ADAPTER - GM V8 PART # 15760

Please read these instructions completely before beginning installation

KIT CONTENTS

QTY.	DESCRIPTION	QTY.	DESCRIPTION
1	Bolt-on Engine Oil Adapter	2	5/16"-18 x 2 1/4" Bolts
1	O-ring	2	5/16" Washers
1	Gasket		
2	1/4"-20 x 2 1/4" Bolts		
2	1/4" Washers		

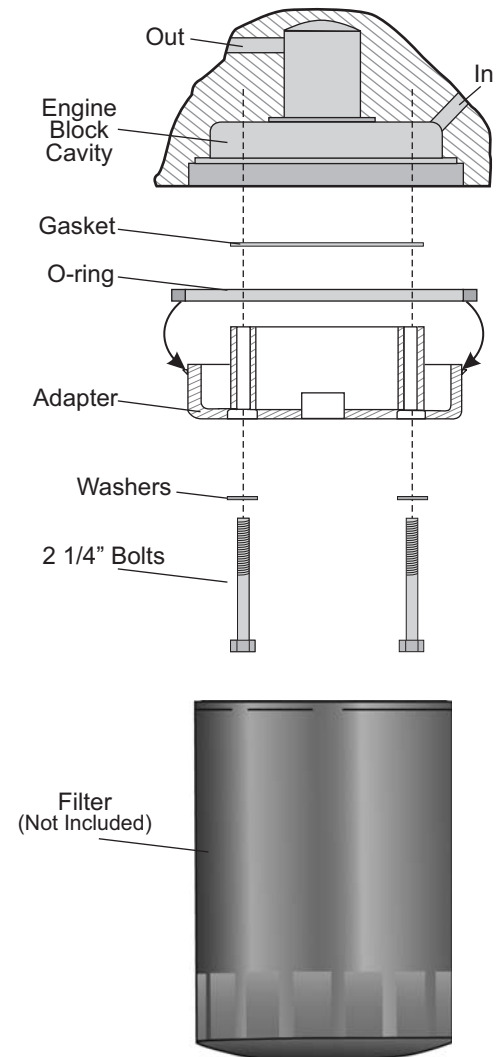
TOOLS NEEDED

Ratchet
7/16" Socket
1/2" Socket
Teflon Tape
Gasket Cinch

INSTALLATION

1. Remove filter shell (with cartridge) from engine and discard.
2. Remove the two bolts holding the By-Pass Valve Assembly in the engine block. Remove assembly and old gasket. Discard all OE components.
3. Install new O-ring around outside of Bolt-on Engine Oil Adapter.
4. Determine which size bolts fit into the engine block.
5. Apply a thin coat of Gasket Cinch or other suitable sealant to the supplied gasket. Install Gasket onto the Bolt-on Engine Oil Adapter as shown in Diagram # 1.
6. Apply a thin coat of engine oil to the O-ring.
7. Holding the assembly together, carefully insert into engine block cavity and tighten bolts equally until hand tight. Then tighten each bolt one turn with wrench. (Note: Max. Torque 8ft. Lbs.)
8. Install 1/2" NPT Fittings (Not Included) using Teflon Tape or other suitable sealant.
9. Before running engine double check all line connections and add sufficient oil.
10. Run engine (just above idle) for 5 minutes and check for leaks. Recheck oil level.

Diagram #1



Warning: Installation of accessories should only be undertaken by those with mechanical knowledge and are familiar with working on vehicles. Always use eye protection (goggles, safety glasses or shield). Park the vehicle in a well lit area, on level ground and apply the parking brake. Only work on a cold vehicle that has been sitting overnight, failure to do so will result in severe burns and injury. Before starting the vehicle, make sure no tools or any other items are left under hood that could interfere with or be drawn into moving parts of the engine. Failure to follow instructions can lead to severe damage and personal injury.